



Elegant contemporary all glass design door system for walk-in cooler applications

Styleline® **EDGE**

ALL GLASS FRONT DOOR SYSTEM

New Elegant Door Design

Edge-to-Edge All Glass Front!

The new STYLELINE EDGE delivers a contemporary edge-to-edge all glass look design creating a much larger viewing area compared to STYLELINE CL, Innovator and RM.

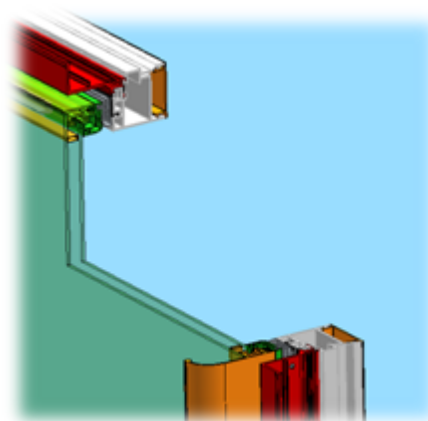
This new design will stand up to the most high traffic installations incorporating our innovative energy efficient frame design providing the highest levels of condensation protection available in the industry for this class.

The new STYLELINE EDGE is engineered for maximum efficiency and durability.

Standard features includes full-length handle, bright LED lighting, 2 glass panes, industry tested door frame, magnetic gasket and hardware. STYLELINE is known for.

STYLELINE Edge is available in 30" x 74" and 30" x 82" sizes to meet your needs.

Options include mirrored mullion, surface mount LED lighting, external door locks and all of our shelving system and accessories.



Low Profile Door Design

Mirrored Mullion

Mirrored Mullion allow retailers to create a unique and well merchandised glass door line up look inviting customer in.



MIRRORED MULLION

■ ENDLESS VIEWING EFFECT

Create a new and unique endless viewing effect of a well merchandised glass door line up for your customers.

■ AVAILABILITY

Mirrored Mullions are available to STYLELINE CL, EDGE, Innovator and RM products only.

■ INSTALLATION

Mirrored Mullions are installed directly by STYLELINE.

■ WARRANTY

2-year limited warranty.

Styleline® **EDGE**

Specifications & Options

Application:

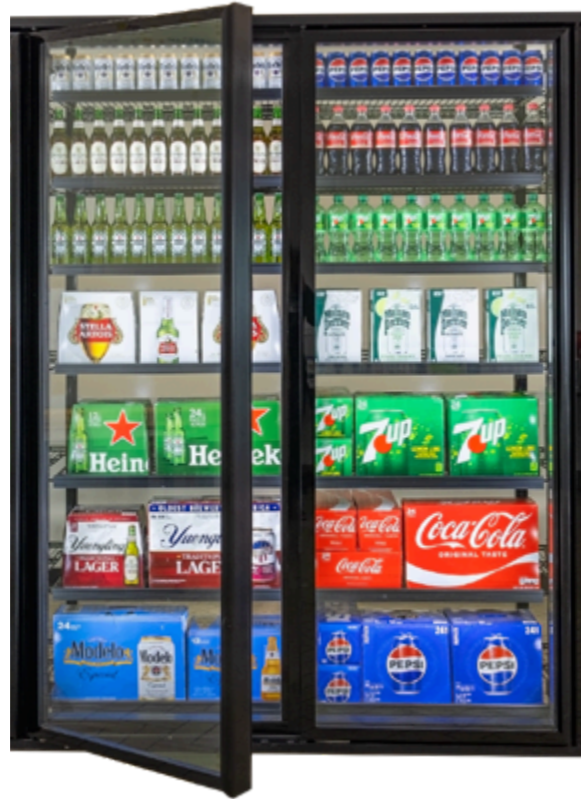
Walk-in Cooler

Standard Features:

- Elegant all glass front door design
- High performance glass pack, Argon fill and Low-E
- Standard door mount hinges
- Pre-wired energy controller
- Full-length handle standard
- Improved magnetic door gasket
- Easy-clean covered frames
- Reversible hinge*

DOE Performance Levels:

- 75F/70%RH @ 35F Cooler Temp.



Options Available:

- Mirrored Mullions
- STYLELINE Shelving
- External door locks
- Surface mount LED lighting
- Reversible hinge kit

Door Configuration:

- Single. Multiple doors

Sizes Available:

(Reference Size Listed Below)

- 30"x74"
- 30"x82"

Net Cooler Openings:

- Available on following page or at styleline.com



*Reversible Hinge Kit required.

Flangeless Door Configuration

Size Reference		30"x74"	30"x82"
Door Width		30"	30"
Door Height		72"	80"
NCO Height		73 ³ / ₄ "	81 ⁵ / ₈ "
Doors	Frames	Lights	Net Cooler Opening Width
6	2	7	15'5"
7	2	8	17' 11 ⁷ / ₁₆ "
8	2	9	20' 5 ⁷ / ₈ "
9	2	10	23' ⁵ / ₁₆ "
10	2	11	25' 6 ³ / ₄ "
11	3	12	28' 2 ¹ / ₄ "
12	3	13	30' 8 ¹¹ / ₁₆ "
13	3	14	33' 3 ¹ / ₈ "
14	3	15	35' 9 ⁹ / ₁₆ "
15	3	16	38' 4"
16	4	17	40' 11 ⁹ / ₁₆ "
17	4	18	43' 6"
18	4	19	46' ⁷ / ₁₆ "
19	4	20	48' 6 ⁷ / ₈ "
20	4	21	51' 1 ⁵ / ₁₆ "

Flangeless is default for 6 doors or more for STYLELINE EDGE.

Full-Flange Door Configuration

Size Reference	30"x74"	30"x82"
Door Width	30"	30"
Door Height	72"	80"
NCO Height	73 ³ / ₄ "	81 ⁵ / ₈ "
Doors	Net Cooler Opening Width	
1	2' 7 ³ / ₄ "	
2	5' 2 ³ / ₁₆ "	
3	7' 8 ⁵ / ₈ "	
4	10' 3 ¹ / ₁₆ "	
5	12' 9 ¹ / ₂ "	
6	15' 6 ¹⁵ / ₁₆ "	
7	18' 1 ³ / ₈ "	
8	20' 7 ¹³ / ₁₆ "	
9	23' 2 ¹ / ₄ "	
10	25' 8 ¹¹ / ₁₆ "	
11	28' 6 ¹ / ₈ "	
12	31' ⁹ / ₁₆ "	
13	33' 7"	
14	36' 1 ⁷ / ₁₆ "	
15	38' 7 ⁷ / ₈ "	
16	41' 5 ¹ / ₄ "	
17	43' 11 ¹¹ / ₁₆ "	
18	46' 6 ¹ / ₈ "	
19	49' ⁹ / ₁₆ "	
20	51' 7"	

Flangeless is default for 6 doors or more for STYLELINE EDGE.